
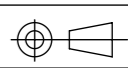
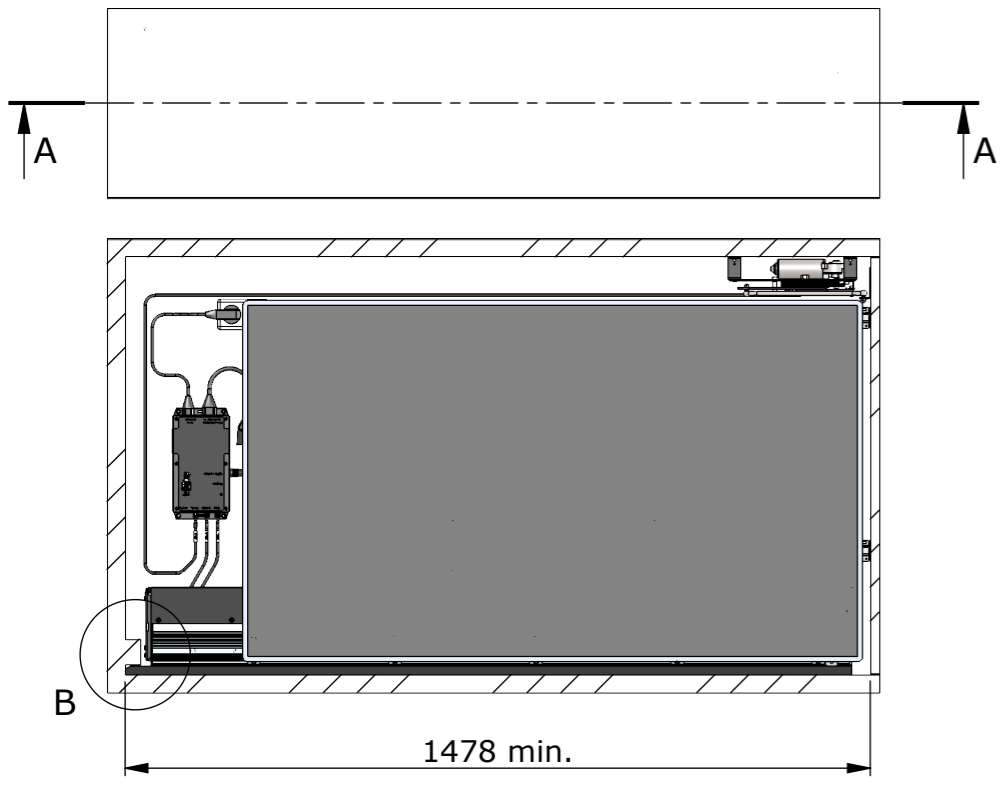
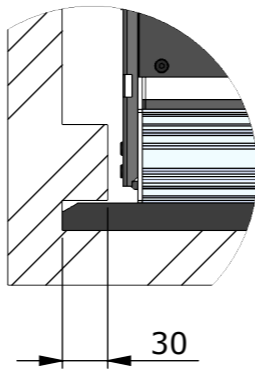


Please note that specifications may be subject to change

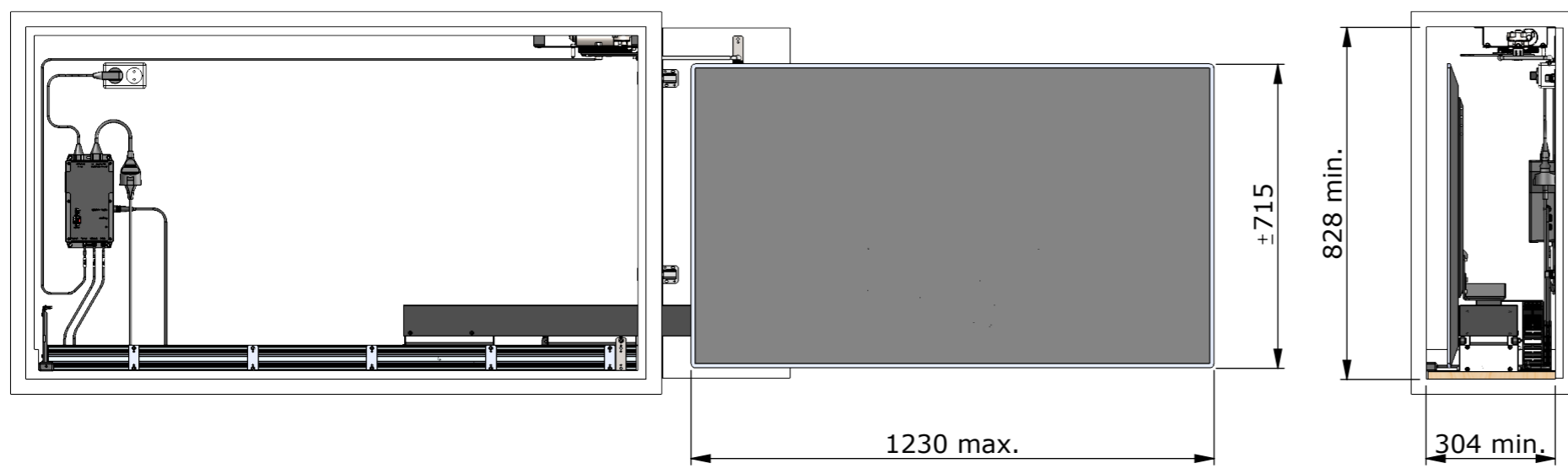
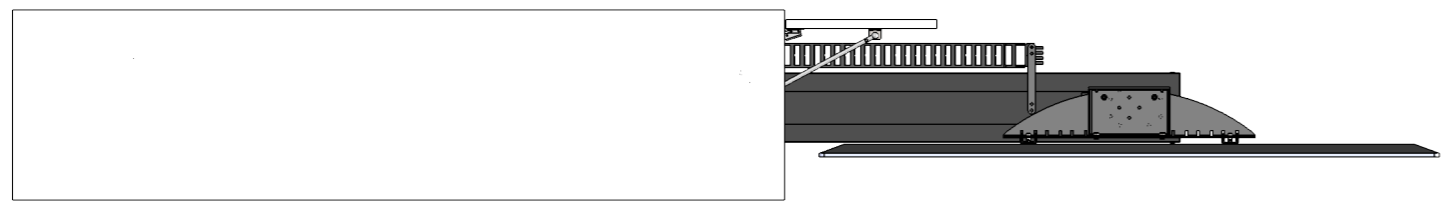
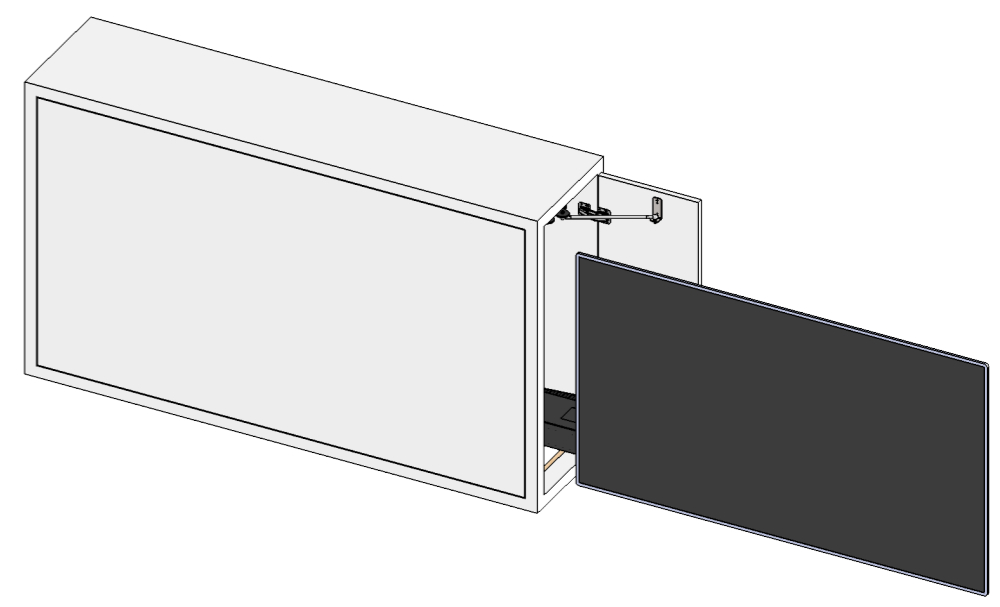
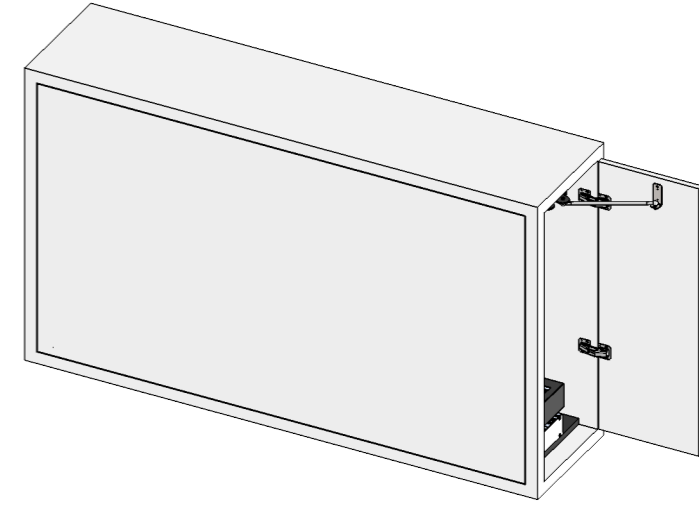
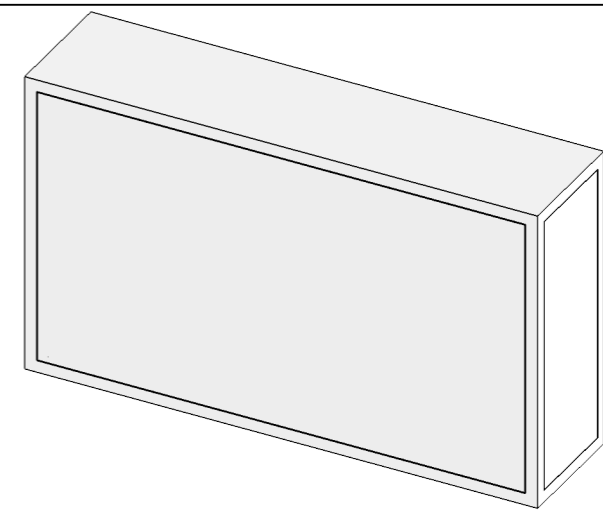
Drawing no.: T014-1000-001A		Description : T014-1333R / John hot 1390-1333R	
		Date : 16-01-2023	 Scale : 1:15
		Drawn : JS	
		Unless otherwise specified dimensions in millimeters	




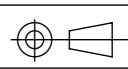
SECTION A-A



DETAIL B
SCALE 1 : 5



Example build in housing

Drawing no.: T014-1001-001A		Description : T014-1333R / John hot 1390-1333R	
		Date : 16-01-2023	 Scale: 1:15
		Drawn : JS	
Unless otherwise specified dimensions in millimeters			

Please note that specifications may be subject to change